

INSTALLATION THE BIN TOP ADAPTOR FOR ICE DEFLECTOR IBT-2248B/3048B ICE BINS



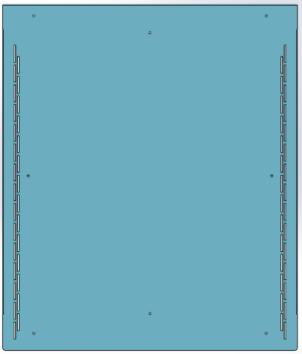
CODE : 3240482-01

Installing the Bin Top Adaptor IBT-2248B/3048B

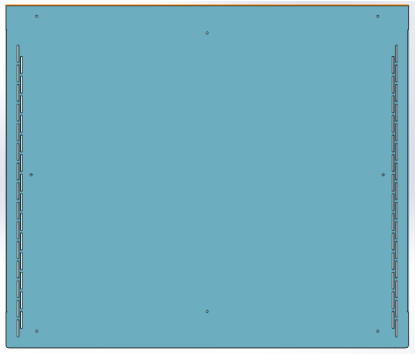
Bin Adaptor Assembly Procedure

Kit Content

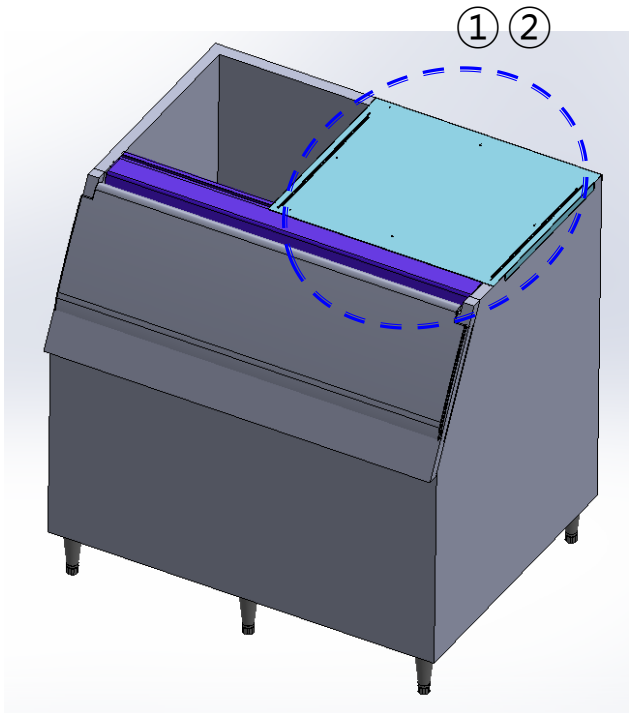
Part Number	PART NAME	Qty
IBT-3048B	48" Bin Top Adaptor (L/R) for 30" Unit	1
IBT-2248B	48" Bin Top Adaptor (L/R) for 22" Unit	1



① IBT-3048B
Bin Top Adaptor
48(L,R)ASSY 30 INCH

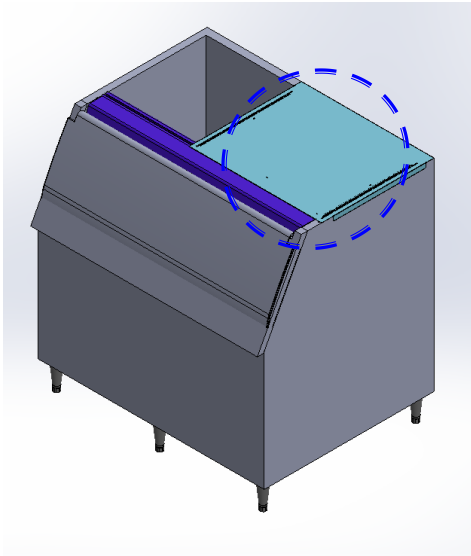
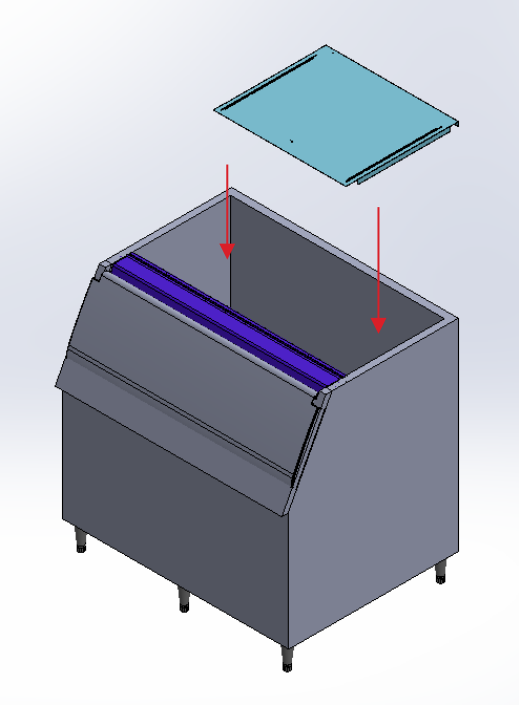
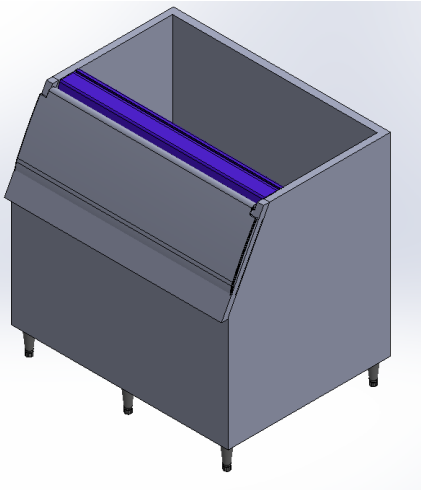


② IBT-2248B
Bin Top Adaptor
48(L,R)ASSY 22 INCH

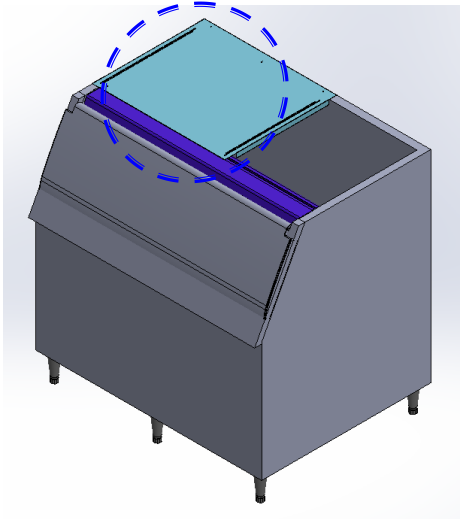


Installing the Bin Top Adaptor IBT-2248B/3048B

Install the Bin Top Adaptor on the bin and position it to the opposite side of where the ice machine will be installed. (No securing screws needed)



or



THANK YOU

